



E-RETE (MALAYA) SDN. BHD.

PRECAST REINFORCED CONCRETE MANHOLES

E-RETE has the facilities for the manufacture of reinforced concrete drainage and sewerage manholes with internal flush rebated / Ogee joints.

E-RETE reinforced concrete Manholes are manufactured to MS 881 : Part 1 : 1991 and to Malaysian Sewerage Industry Guidelines - Sewer Network and Pumps Station Volume 3 by National Water Services Commission (SPAN).

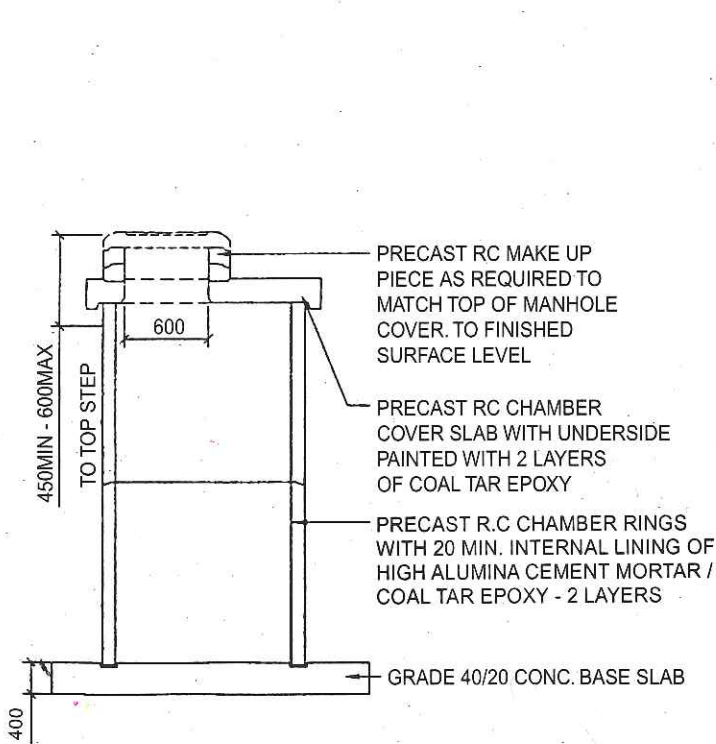
E-RETE Sewerage Manholes components are lined internally with 20mm thick high alumina cement mortar or painted with 2 layers of epoxy tar.

Eccentric Rest Platforms are provided at every 3m depth for manholes exceeding 5m deep.

Lifting holes are provided on all manholes components.

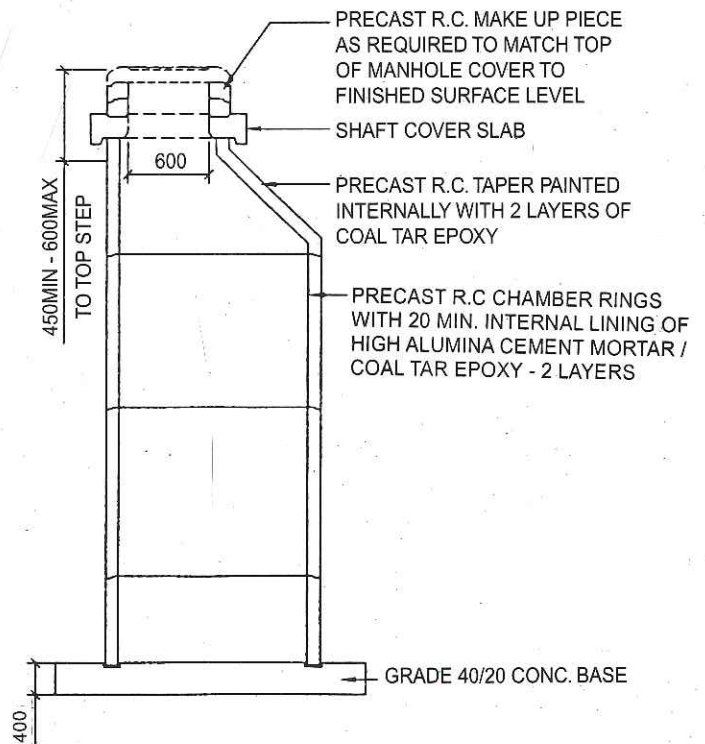
E-RETE Sewerage Manhole components can be used for a depth of up to 9m with cast insitu concrete surround of 150mm min. tickness.

Upon request, E-RETE Sewerage Manholes Components can be designed and manufactured for a depth exceeding 9m.



STANDARD SHALLOW PRECAST CONCRETE MANHOLE

(GROUND LEVEL TO TOP OF BENCHING < 2.5 METRES)



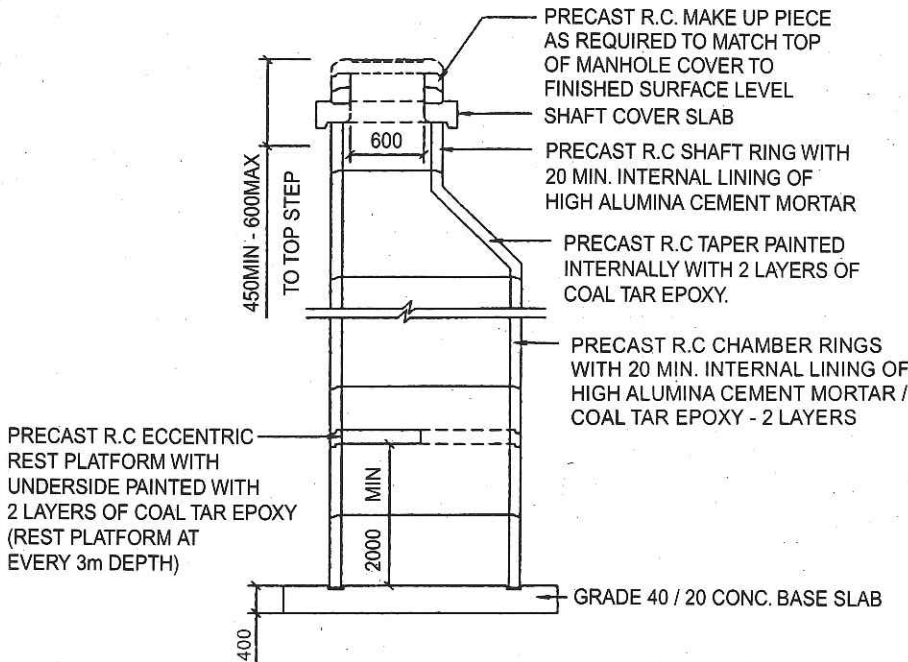
STANDARD PRECAST CONCRETE MANHOLE ARRANGEMENT

(GROUND LEVEL TO TOP OF BENCHING 2.5 TO 5 METRES)



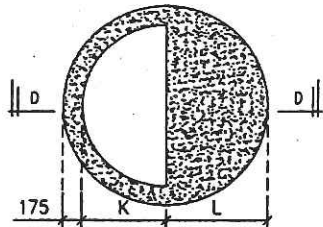
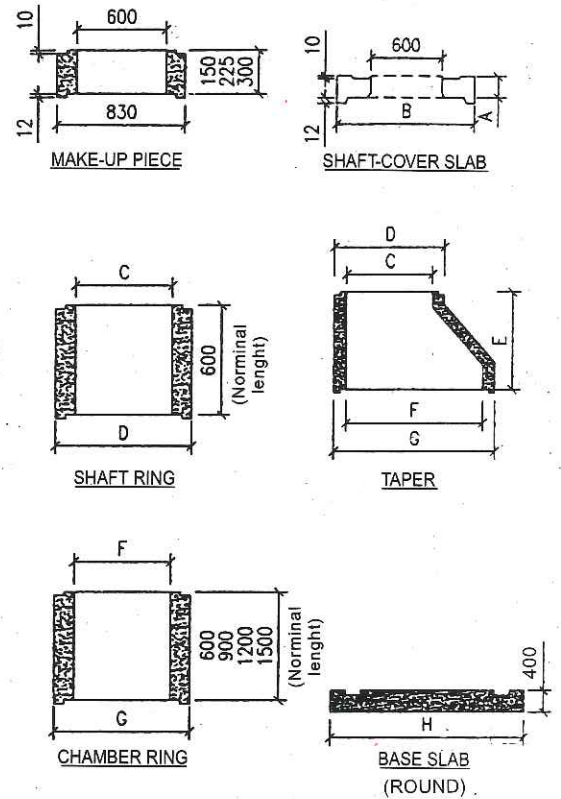
E-RETE (MALAYA) SDN. BHD.

PRECAST REINFORCED CONCRETE MANHOLES



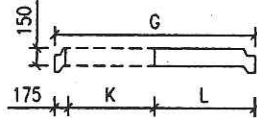
STANDARD DEEP PRECAST CONCRETE MANHOLE

(GROUND LEVEL TO TOP OF BENCHING > 5 METRES)

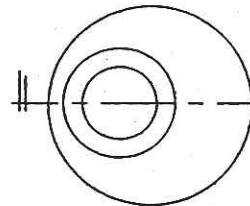


ECCENTRIC REST PLATFORM

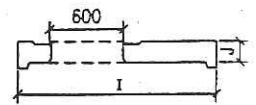
(STANDARD PRECAST REINFORCED CONCRETE LANDING)



SECTION D-D



PLAN OF CHAMBER COVER SLAB



CHAMBER COVER SLAB

MANHOLE DIAMETER (mm)	SHAFT COVER SLAB		SHAFT RING		TAPER E (mm)	CHAMBER RING		BASE SLAB H (mm)	CHAMBER COVER SLAB		E.R.P	
	A (mm)	B (mm)	C (mm)	D (mm)		F (mm)	G (mm)		I (mm)	J (mm)	K (mm)	L (mm)
1200	140	940	673	775	600	1219	1346	1650	1500	145	498	673
1350	140	1125	914	1016	900	1350	1540	1850	1690	160	595	770
1500	140	1125	914	1016	900	1500	1712	2000	1850	160	681	856
1800	140	1125	914	1016	900	1800	2054	2400	2174	160	852	1027

* THE COMPANY RESERVES THE RIGHT TO ALTER SPECIFICATIONS WITHOUT NOTICE.

* ALL DIMENSION NOT TO SCALE.