

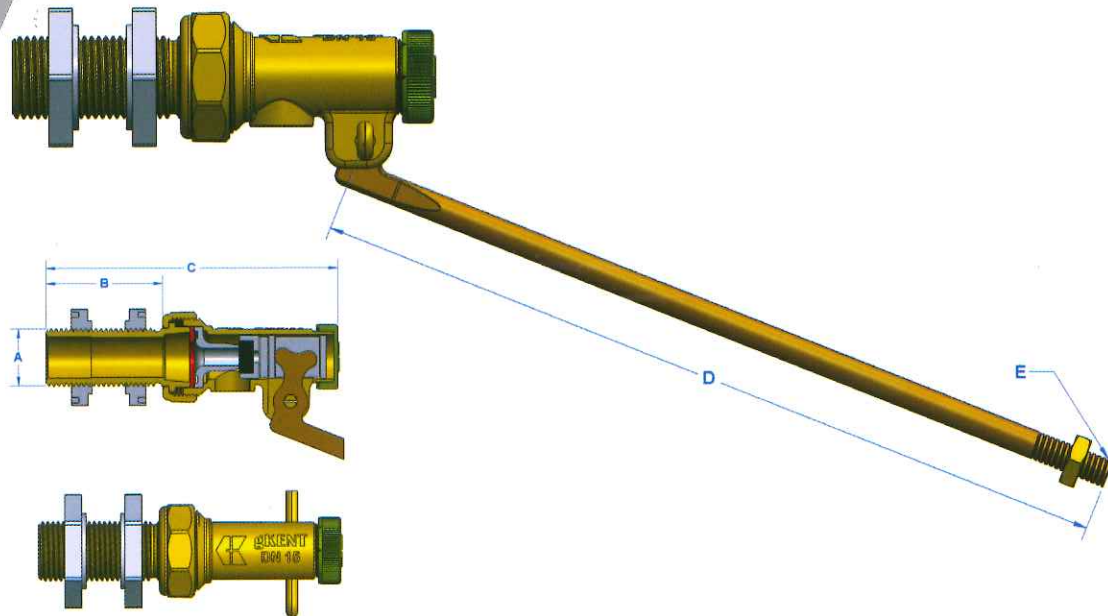
Technical Specification:

Specification DN15 (1/2 inch)

Nominal Pressure	PN16
Working Temperature, °C	≤ 50
Application Medium	Potable Water
Material	C 3771

Dimension

A	G 1/2 B
B	41.0
C	107.0
D	206.0
E	5/16 × 18 TPI



* All dimensions are in "mm" unless otherwise stated



George Kent (Malaysia) Berhad (1945-X)

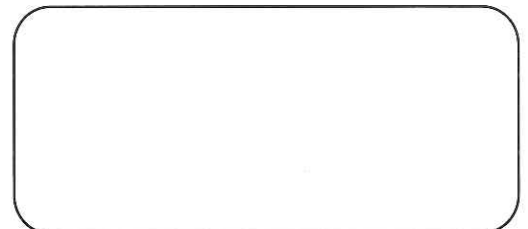
Lot 1115, Batu 15, Jalan Dengkil,
47100 Puchong, Selangor, Malaysia.

Tel : +603-8064 8000

Fax : +603-8061 9926

Email : sales@georgekent.net

Website : www.georgekent.net



Continuous improvement is one of the company policy. We reserved the right to modify the specifications without prior notice.