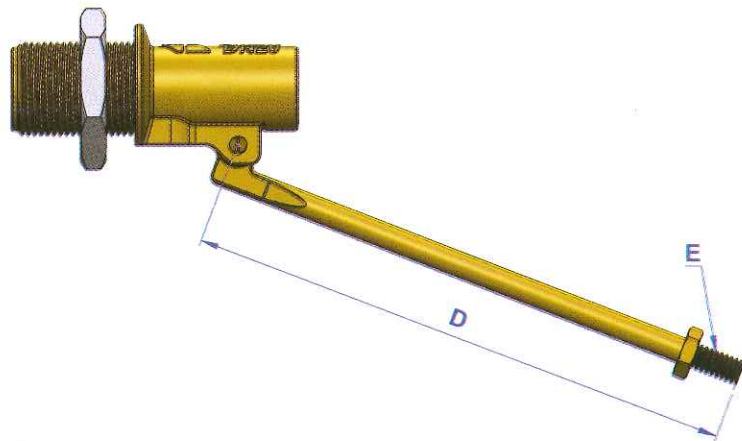
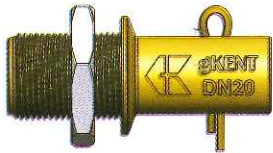
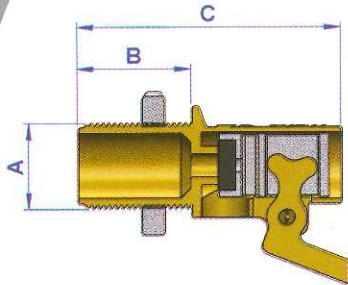


Technical Specification:

Specification	DN15 (1/2 inch)	DN20 (3/4 inch)	DN25 (1 inch)
Nominal Pressure	PN16		
Working Temperature, °C	≤ 50		
Application Medium	Potable Water		
Material	C 3771		

Dimension

	DN15 (1/2 inch)	DN20 (3/4 inch)	DN25 (1 inch)
A	G 1/2 B	G 3/4 B	G 1 B
B	30.0	35.0	36.3
C	71.0	81.3	92.3
D	206.0	206.0	410.0
E	5/16 × 18 TPI	5/16 × 18 TPI	5/16 × 18 TPI



* All dimensions are in "mm" unless otherwise stated



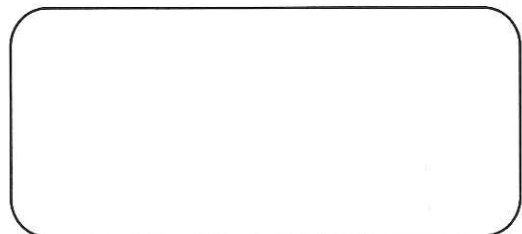
George Kent (Malaysia) Berhad (1945-X)

George Kent Technology Center
1115 Jalan Puchong, Taman Meranti Jaya,
47120 Puchong, Selangor, Malaysia.

Tel : +603-8064 8000

Fax : +603-8061 9926

www.georgekent.net



Continuous improvement is one of our company policy. George Kent (Malaysia) Berhad reserved the right to modify the specifications without prior notice.