

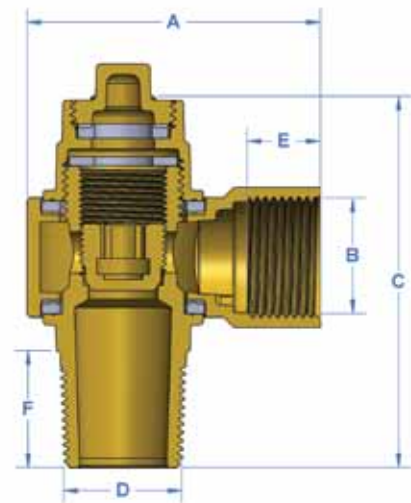
Technical Specification:

Specification

Specification	DN20 (¾ inch)	DN25 (1 inch)
Nominal Pressure	PN16	
Working Temperature, °C	≤ 50	
Application Medium	Potable Water	
Material	C 3771	

Dimension

Dimension	DN20 (¾ inch)	DN25 (1 inch)
A	63min	74min
B	G ¾	G 1
C	80min	85min
D	R ¾	R 1
E	15min	15min
F	20min	21min



* All dimensions are in "mm" unless otherwise stated



George Kent (Malaysia) Berhad (1945-X)

George Kent Technology Center
 1115 Jalan Puchong, Taman Meranti Jaya,
 47120 Puchong, Selangor, Malaysia.
 Tel : +603-8064 8000
 Fax : +603-8061 9926
www.georgekent.net



Continuous improvement is one of our company policy. George Kent (Malaysia) Berhad reserved the right to modify the specifications without prior notice.