

Technical Specification:

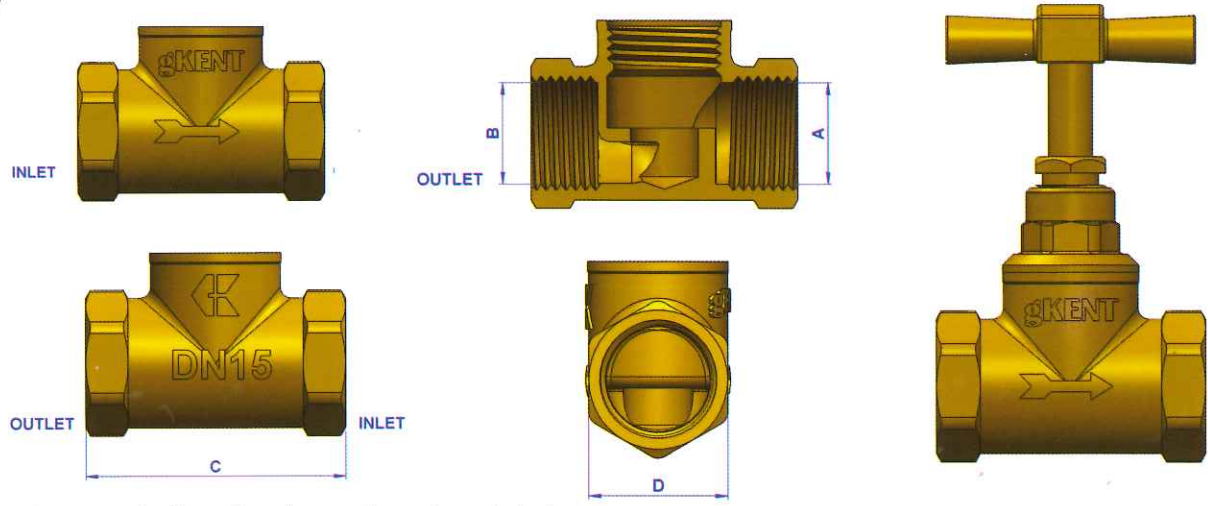
Specification	DN15 (1/2 inch)	DN20 (3/4 inch)	DN25 (1 inch)
Nominal Pressure	PN16		
Working Temperature, °C	≤ 50		
Application Medium	Potable Water		

Dimension

Dimension	DN15 (1/2 inch)	DN20 (3/4 inch)	DN25 (1 inch)
A	G 1/2	G 3/4	G 1
B	G 1/2	G 3/4	G 1
C	48.0	58.5	67.2
D	24.0	29.5	39.2

Flow Rate

Minimum at 0.1 bar (l/hour)	DN15 (1/2 inch)	DN20 (3/4 inch)	DN25 (1 inch)
	720	1440	2520



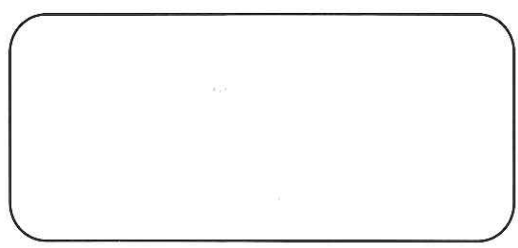
* All dimensions are in "mm" unless otherwise stated



George Kent (Malaysia) Berhad (1945-X)

Lot 1115, Batu 15, Jalan Dengkil,
47100 Puchong, Selangor, Malaysia.

Tel : +603-8064 8000
 Fax : +603-8061 9926
 Email : sales@georgekent.net
 Website : www.georgekent.net



Continuous improvement is one of our company policy. George Kent (Malaysia) Berhad reserved the right to modify the specifications without prior notice.