

Technical Specification:

Specification

DN15 (1/2 inch)

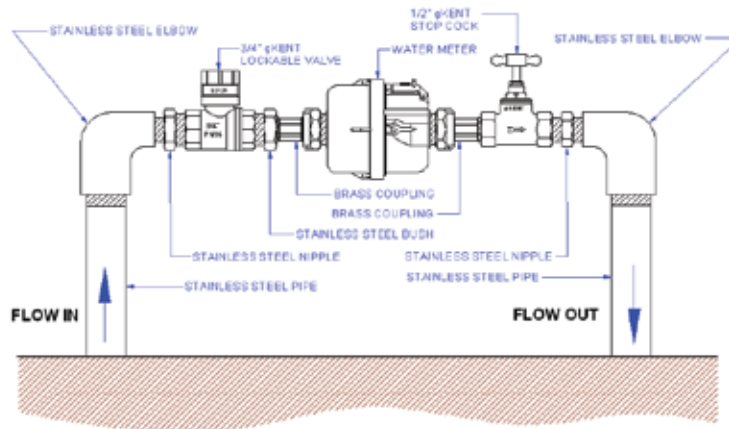
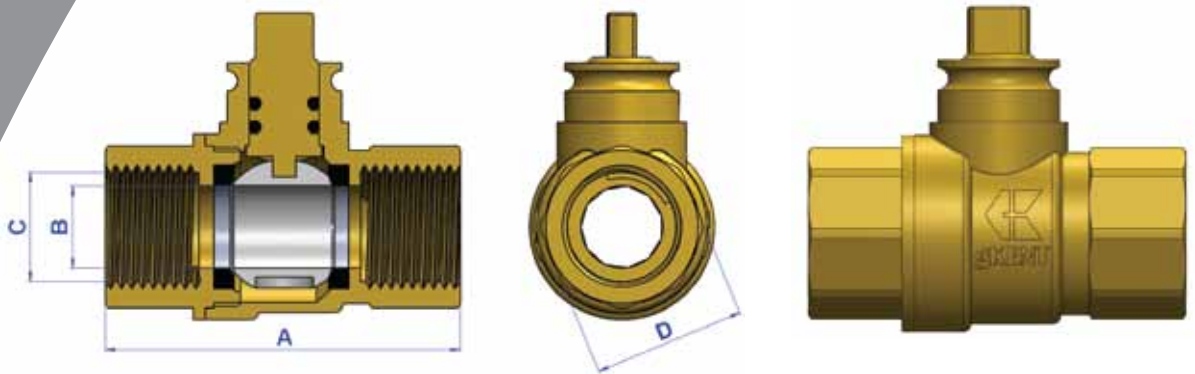
DN20 (3/4 inch)

Nominal Pressure

PN16

Dimension

Dimension	DN15 (1/2 inch)	DN20 (3/4 inch)
A	60.5	70
B	Ø 14.5	Ø 19
C	G 1/2	G 3/4
D	26	32



* All dimensions are in "mm" unless otherwise stated



George Kent (Malaysia) Berhad (1945-X)

George Kent Technology Center
1115 Jalan Puchong, Taman Meranti Jaya,
47120 Puchong, Selangor, Malaysia.

Tel : +603-8064 8000

Fax : +603-8061 9926

www.georgekent.net



Continuous improvement is one of our company policy. George Kent (Malaysia) Berhad reserves the right to modify the specifications without prior notice.