

**KOSSAN**

# KOSSAN FRP & PE SEPTIC TANK

Underground Sewage Specialities Products



## Products For Demanding Environments

### Features And Advantages:

#### ENVIRONMENTALLY SAFE

KOSSAN KSTF & KSTP are designed and finished to the highest structural and system standards, and proven to deliver high quality final effluent.

#### COST EFFECTIVE

Quick to install and easy to handle. Save on time and installation costs.

#### ROBUST & CORRUGATED PROFILE

The Designed of KSTF & KSTP are based on the Corrugated reinforced profile and round design, Which offer maximum strength, durability and resiliency

#### EASY TO OPERATE

Virtually maintenance-free with minimal operation costs.

#### HIGH EFFICIENCY "BIOPAC-1"

KOSSAN KSTF & KSTP Up-Flow Filtration System employed non-clogging, high volume ratio superior patented PVC "BIOPAC-1" Filter Media to effectively filter the swage.

#### FLOTATION HOLD DOWN PROVISION

KOSSAN KSTF & KSTP can be secured by simple hold down devices for saturated soil condition. No "Popping" problem.

#### TESTED AND APPROVED

KSTF & KSTP are certified by (IQCI) IKRAM QA SERVICES SDN BHD conformation specification with MS 2441-1: 2012

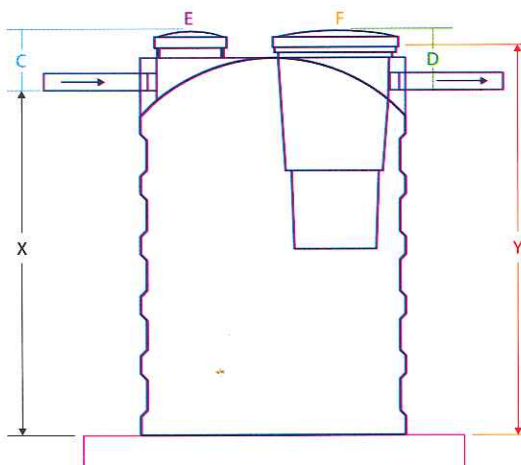
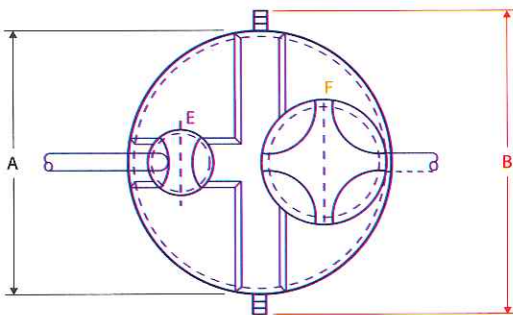
# SPECIFICATION OF KSTP PE SEPTIC TANK



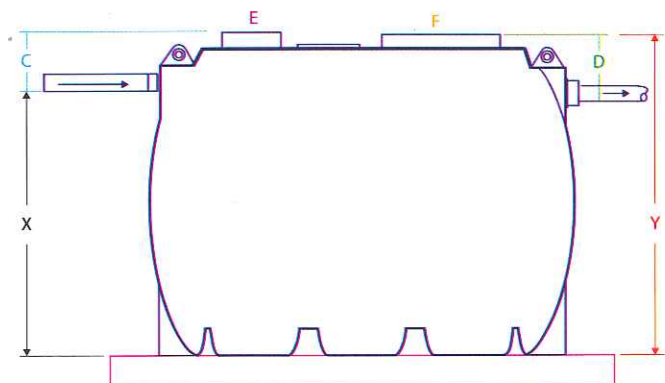
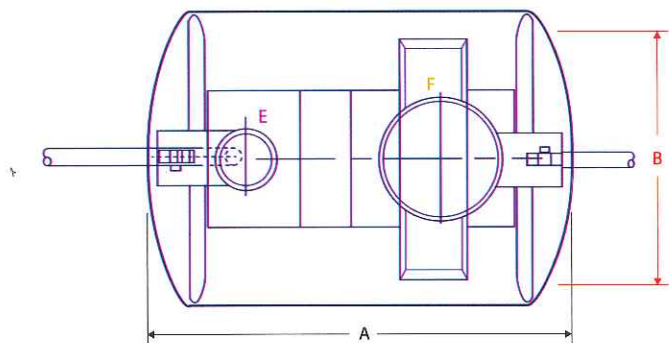
SPECIFICATIONS	KSTP-3H	KSTP-3V	KSTP-5	KSTP-9H	KSTP-9V
Population Equivalent Served	5 P.E.	5 P.E.	7 P.E.	12 P.E.	15 P.E.
Total Volume (m <sup>3</sup> )	1.50 m <sup>3</sup>	2.00 m <sup>3</sup>	2.30 m <sup>3</sup>	3.60 m <sup>3</sup>	3.65 m <sup>3</sup>
Retention Time (Day)	>1	>1	>1	>1	>1
Overall Tank Depth Y (m)	1.05 m	1.75 m	1.97 m	1.63 m	1.88 m
Liquid Depth X (m)	0.79 m	1.46 m	1.70 m	1.35 m	1.45 m
A	1.55 m	Ø 1.32 m	Ø 1.32 m	2.10 m	Ø 1.80 m
B	1.22 m	1.51 m	1.51 m	1.49 m	2.00 m
C	200 mm	200 m	200 mm	200 mm	160 mm
D	260 mm	280 mm	280 mm	280 mm	240 mm
E	250 mm	300 mm	300 mm	300 mm	300 mm
F	550 mm	550 mm	550 mm	550 mm	550 mm

- Recommended Desludging period ( once / 2 years )
- All tank dimensions are rounded off to the nearest 10 mm
- All specifications are subject to change without prior notice

**KSTP - 3V / 5 / 9V**



**KSTP - 3H / 9H**





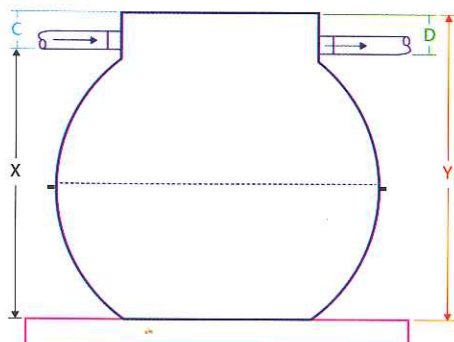
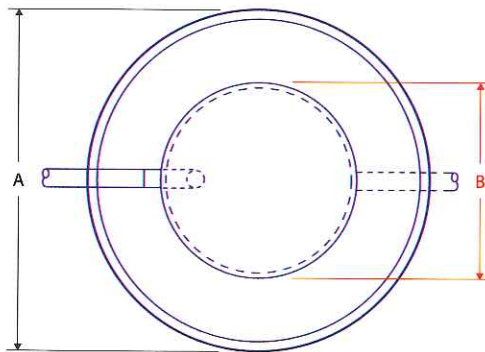


# SPECIFICATION OF KSTF FRP SEPTIC TANK

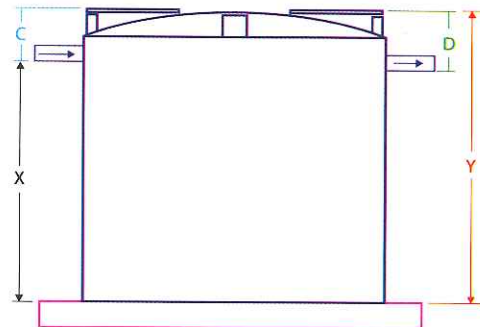
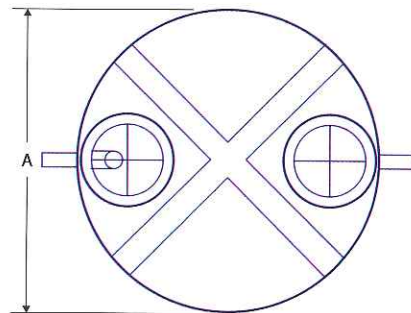
SPECIFICATIONS	KSTF-5	KSTF-9	KSTF-15	KSTF-25	KSTF-30
Population Equivalent Served	7 P.E.	12 P.E.	17 P.E.	25 P.E.	30 P.E.
Total Volume (m <sup>3</sup> )	2.28 m <sup>3</sup>	3.60 m <sup>3</sup>	5.0 m <sup>3</sup>	7.1 m <sup>3</sup>	9.22 m <sup>3</sup>
Retention Time (Day)	>1	>1	>1	>1	>1
Overall Tank Depth Y (m)	1.55 m	1.81 m	2.05 m	1.91 m	2.38 m
Liquid Depth X (m)	1.29 m	1.55 m	1.74 m	1.43 m	1.90 m
Inlet & Outlet Pipe Ø	100 mm	100 mm	100 mm	150 mm	150 mm
A	Ø 1.70 m	Ø 1.90 m	Ø 2.08 m	Ø 2.50 m	Ø 2.50 m
B	1.11 m	1.17 m	1.23 m	-	-
C	110 mm	110 mm	110 mm	400 mm	400 mm
D	210 mm	210 mm	210 mm	480 mm	480 mm

- Recommended Desludging period ( once / 2 years )
- All tank dimensions are rounded off to the nearest 10 mm
- All specifications are subject to change without prior notice

**KSTF - 5 / 9 / 15**

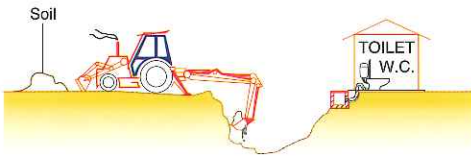


**KSTF - 25 / 30**

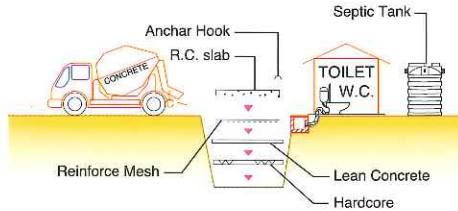


# KOSSAN FRP & PE SEPTIC TANK INSTALLATION

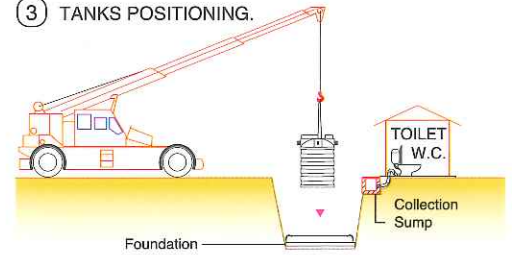
## ① EXCAVATION OF PIT.



## ② CONSTRUCT OF FOUNDATION, COMPLETE WITH ANCHOR HOOKS.

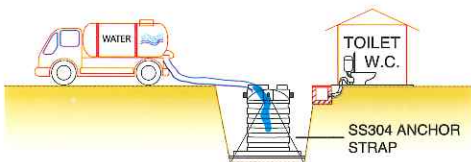


## ③ TANKS POSITIONING.



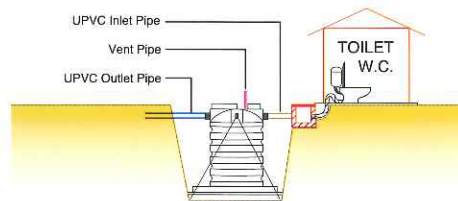
## ④ FIXING & TIGHTENING TANKS.

- i). FIXTURE OF FRP STRAP AND SS304 ANCHOR STRAP WIRE.
- ii). FILL TANK WITH WATER TO NORMAL OPERATION WATER LEVEL.
- iii). RETIGHTEN ANCHOR STRAP WIRE.

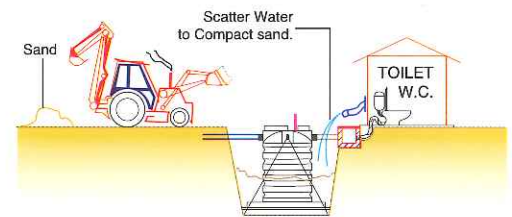


## ⑤ PIPING INSTALLATION.

- i). UPVC INLET/OUTLET TANK PIPINGS & VENT PIPE INSTALLATION.

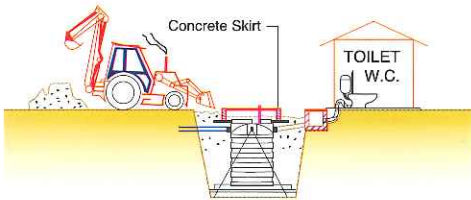


## ⑥ SAND BACK FILLING TOPPING LEVEL.

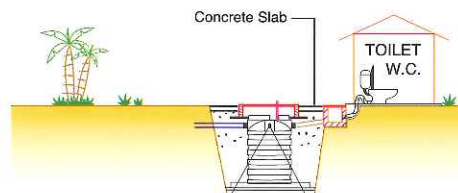


## ⑦ CONSTRUCTION OF MANHOLE.

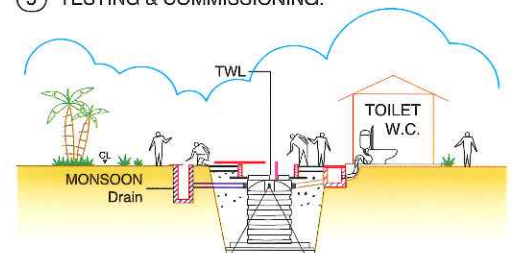
- i). CONSTRUCT THE CONCRETE SKIRT FOR MANHOLE.
- ii). FINAL SAND BACKFILLING AND COVER WITH CONCRETE SLAB.



## ⑧ THE INSTALLATION WORK IS COMPLETED.



## ⑨ TESTING & COMMISSIONING.



### NOTE:

1. The above installation instructions are just the company's impression only, it could be difference prior to the site condition, location an weather condition.
2. The company will not be responsible for any consequential losses, defects or damages as result improper handling or use for purpose other than sweage treatment at stationary at position, incorrect installation or form any non-manufacturing defects.
3. Before installation check the following items:
  - Location of underground pipes ( Electric, Water, gas & others )
  - Area of site ( enough for safety installation ) & way of transportation for construction material
  - Stock area for excavated soil
  - Temporary water and electrical supply
  - Depth of inlet pipe and septic tank leakage final checking
  - Working area and access road for excavation and crane to work



高產玻璃纖維工業(馬)有限公司

**KOSSAN FRP INDUSTRIES (M) SDN. BHD.** (Co. No. 159277-H)

Lot 11832, Jalan Sungai Pulu Estate, Off Jalan Kapar, Batu 6,  
42100 Klang, Selangor Darul Ehsan, Malaysia.

Tel : 603-3291 7088 / 7077 Fax : 603-3291 9088

E-mail : marketing@kfrp2.com

Autorised Distributors: