



MA PIPELINES MARKETING SDN. BHD. (1089684-U)

Lot 3015A, Batu 6½, Jalan Puchong,
58200 Kuala Lumpur, Malaysia.

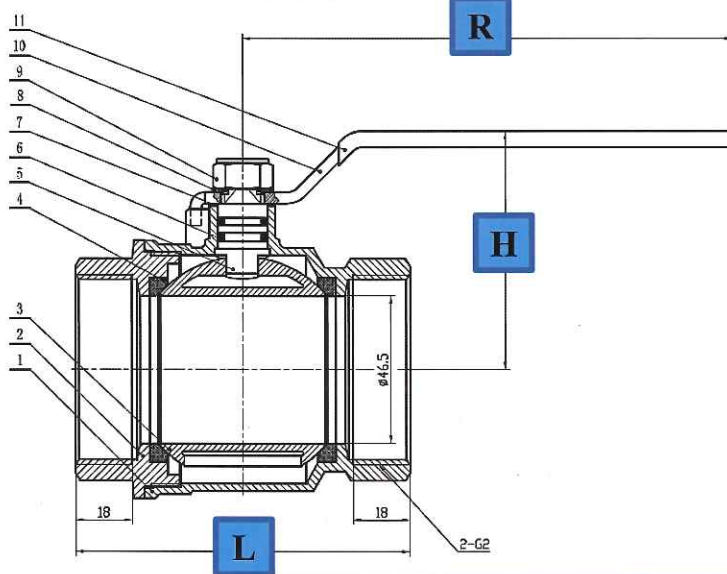
Tel. : +603 – 7773 1848 Fax. : + 603 – 7781 7062

Email : mapipelines@gmail.com

Website : www.pipelines.com.my

BRAND : JK

BRASS BALL VALVE



COMPLIANCE TO BS EN 6675

NO.	NOMINAL SIZE		DIMENSION (mm)		
	DN	INCH.	L	H	R
1	15	½	53.0	41.1	98.0
2	20	¾	63.0	44.5	98.0
3	25	1	72.0	55.0	110.0
4	32	1¼	80.0	61.0	140.0
5	40	1½	90.5	66.0	140.0
6	50	2	106.0	75.0	155.5

NO.	DESCRIPTION	MATERIALS
1	BODY	NICKLE PLATED BRASS
2	BONNET	NICKLE PLATED BRASS
3	BALL	CHROMED BRASS
4	SEALING SEAT	PTFE
5	STEM	BRASS
6	O-RING	NBR
7	GASKET	PTFE
8	SPRING WASHER	ZINC PLATED STEEL
9	NUT	NICKLE PLATED BRASS
10	HANDLE	STAINLESS STEEL 304
11	HANDLE SLEEVE	PTFE



SIRIM QAS
LESEN PENSIHLAN BARANGAN
Product Certification Licence

SIRIM QAS International Sdn. Bhd. dengan ini mengesahkan kepada SIRIM QAS International Sdn. Bhd. lesen pengiraan

MS
SIRIM
Cert. No. : PC001321

IA PIPELINES MARKETING SDN. BHD.
LOT 3015A, BATU 6 1/2
JALAN PUCHONG, 58200 KUALA LUMPUR,
MELAYU PENINSULAN MALAYSIA

Lesen untuk menggunakan Tanda Pendaftaran di atas barangan
a SERVICE OF THE CONTRACTOR AS AN
SERVICES VALVE (COVER ALLOY) FOR WATER SERVICE
Please refer to BS EN 6675

Isi bagi membolehkan kegunaan
di samping itu
MS 6675 : 1986

Chet Shamsy
Ketua Bahagian
Pengiraan
Menteri Besar
SIRIM QAS International Sdn. Bhd.

Tempoh Masa Pengiraan : 120 hari
Tarikh Mula : 120 hari
Tarikh Tamat : 120 hari
Tarikh : 12/01/2014

Tempoh Masa Pengiraan : 120 hari
Tarikh Mula : 120 hari
Tarikh Tamat : 120 hari
Tarikh : 12/01/2014

Distributed by:



QUALITY SYSTEM
SIRIM
Certified To BS EN 6675 : 1986

SPAN
Suruhanjaya Perkhidmatan Air Negara