



TEK Resilient Seated Gate Valve

Double Flange Resilient Seated Ductile Iron PN16
Gate Valve For Water, Sewerage and Neutral Liquids

Cap Top



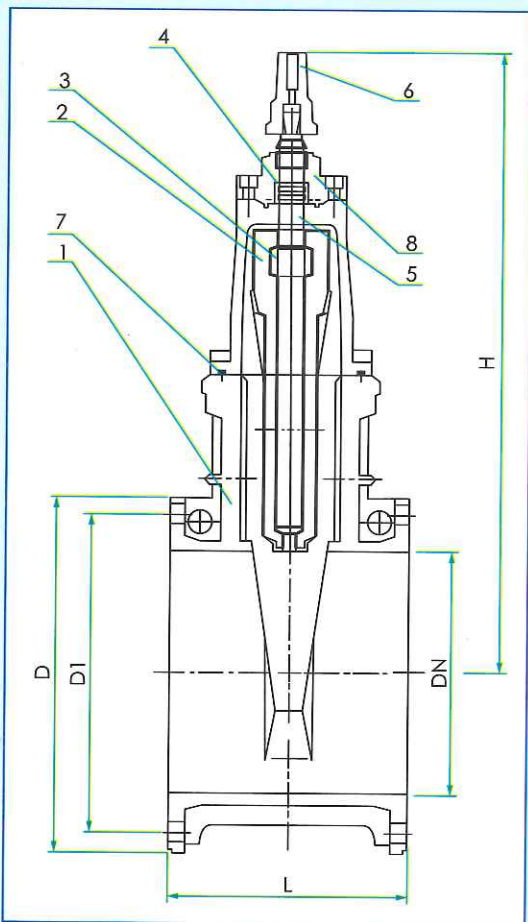
Hand Wheel



TEK Resilient Seated Gate Valve

Double Flange Resilient Seated Ductile Iron PN16 Gate Valve For Water, Sewerage and Neutral Liquids

- Diameter Range : DN50-DN600
- Maximum Working Pressure : 16 bar
- Applied Pressure : Shell Test - 25 bar
Seat Test - 17.6 bar
- Coating : Fusion Bonded Epoxy Paint
(Min. 250 microns DFT)
- Features : Non-Rising Stem Gate Valve
- Operation Method : Manual Operated Clockwise Closing /
Manual Operated Anti-clockwise Closing
- Specification : BS 5163 : 1986 - Type B / BS 5163 : Pt. 1&2 : 2004



DIMENSIONS

DN	50	65	80	100	150	200	250	300	350	400	450	500	600
H	280	285	325	370	470	570	630	750	885	965	1048	1290	1445
L	178	190	203	229	267	292	330	356	381	406	432	457	508
D	165	185	200	220	285	340	405	460	520	580	640	715	840
D1	125	145	160	180	240	295	355	410	470	525	585	650	770
n	4	4	8	8	8	12	12	12	16	16	20	20	20

SPECIFICATIONS

No	Description	Material	Material Specification
1	Body	Ductile Iron	BS EN 1563 Grade 500/7
2	Resilient Wedge	Ductile Iron Fully Vulcanized with EPDM Rubber	BS 2494 Type W / MS 672: 99
3	Stem Nut	Gunmetal	BS 1400 LG2 / AB1
4	Cartridge	Gunmetal	BS 1400 LG2 / AB1
5	Stem	Stainless Steel	BS 970 Part 1 Grade 431/S29
6	Stem Cap	Ductile Iron	BS EN 1563 Grade 500/7
7	Bonnet Gasket	EPDM	BS 2494 Type W / MS 672: 99
8	Bonnet	Ductile Iron	BS EN 1563 Grade 500/7

NOTE:

1. UNIT OF MEASUREMENT: MM

2. THE DESIGNS, MATERIALS, AND SPECIFICATIONS SHOWN ARE SUBJECT TO CHANGE WITHOUT NOTICE DUE TO OUR CONTINUING PROGRAMME OF PRODUCT DEVELOPMENT.

sales@tekvalve.com