

# Y - Strainer PN16

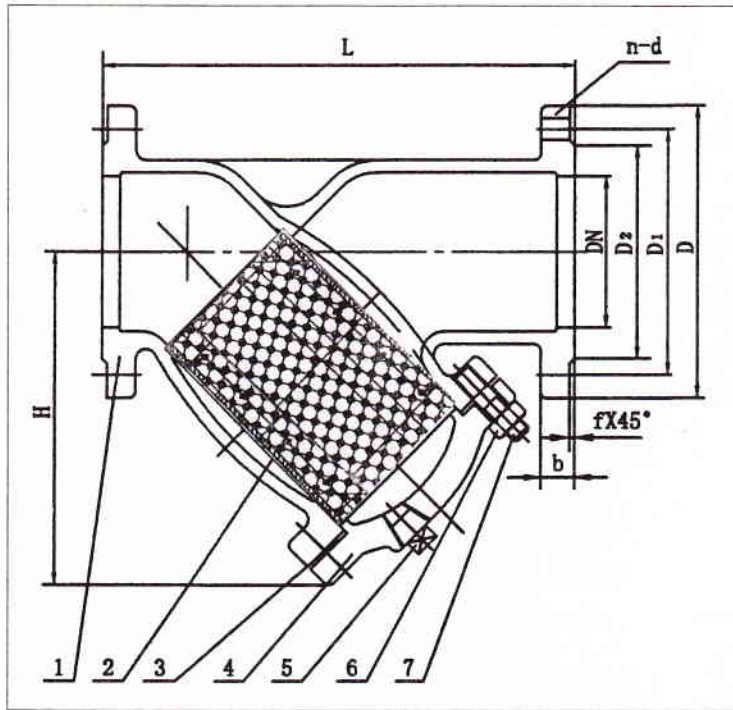


## Specifications:

Normal Pressure (MPa)	1.6	
Testing Pressure (MPa)	Body	2.4
	Seat	1.76
Working Pressure (MPa)	1.6	
Suitable Temperature ( °C )	≤100	
Suitable Medium	Water, Oil	

## Technical Requirements:

1. Design and manufacture are according to Standard of BS2080 PN16.
2. Flanges dimensions is according to PN16 of BS4504 Section 3.2:1989.
3. Testing is according to standard of BS6755 Part 1.



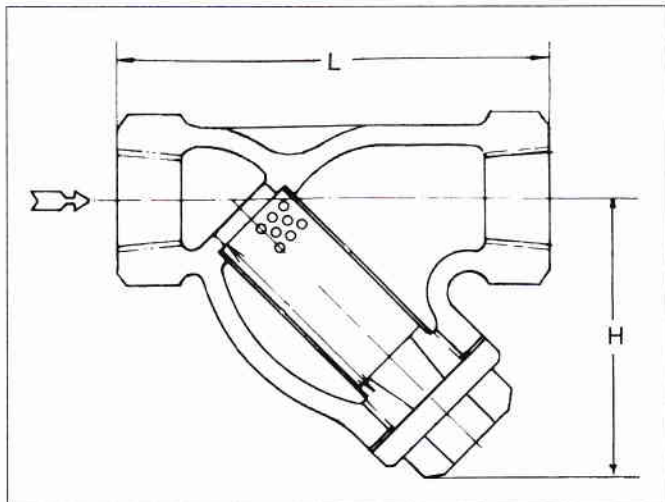
## Material Specifications:

No.	Parts Name	Material	Designation / Grade (CI)	Designation / Grade (DI)
1	Body	Cast / Ductile Iron	BS1452 Grade 220	BS2789 Grade 500/7
2	Screen	Stainless Steel	BS970 Grade 304 S31	BS970 Grade 304 S31
3	Gasket	Rubber	NBR	NBR
4	Cover	Cast / Ductile Iron	BS1452 Grade 220	BS2789 Grade 500/7
5	Plug	Malleable Iron	Malleable Cast Iron	Malleable Cast Iron
6	Nut	Steel	BS4190 Galvd	BS4190 Galvd
7	Stud	Steel	BS4190 Galvd	BS4190 Galvd

## Dimensions (mm):

DN	L	D	D1	D2	b	n - d	F	H	W.T (kg)
50	220	165	125	99	20	4 - 19	3	165	13
65	270	185	145	118	20	4 - 19	3	180	18
80	290	200	160	132	22	8 - 19	3	200	21
100	350	220	180	156	24	8 - 19	3	246	27
125	390	250	210	184	26	8 - 19	3	285	38
150	440	285	240	211	26	8 - 23	3	330	52
200	540	340	295	266	30	12 - 23	3	425	93
250	660	405	355	319	32	12 - 28	3	510	130
300	720	460	410	370	32	12 - 28	4	560	170
350	960	520	470	429	36	16 - 28	4	653	421
400	1079	580	525	480	38	16 - 31	4	712	602
450	1168	640	585	548	40	20 - 31	4	842	732
500	1275	715	650	609	42	20 - 34	4	866	930
600	1450	840	770	720	48	20 - 37	5	1082	1030

# Y - Strainer - Screwed End



## Specifications:

Normal Pressure (MPa)	1.6	
Testing Pressure (MPa)	Body	2.4
	Seat	1.76
Working Pressure (MPa)	1.6	
Suitable Temperature ( °C )	≤100	
Suitable Medium	Water, Oil	

## Material Specifications:

Parts Name	Material	Designation / Grade (CI)
Body	Cast Iron	BS1452 Grade 220
Cover	Cast Iron	BS1452 Grade 220
Packing	Rubber	NBR
Screen	Stainless Steel	BS970 Grade 304 S31

## Dimensions:

Size DN	Inch.	1/2	3/4	1	1 1/4	1 1/2	2	2 1/2	3
	mm	15	20	25	32	40	50	65	80
L	END TO END	91	109	124	153	163	186	206	233
H	HEIGHT	60	70	85	100	105	125	145	165

# T-Pot Strainer



## Specifications:

Normal Pressure (MPa)	1.6	
Testing Pressure (MPa)	Body	2.4
	Seat	1.76
Working Pressure (MPa)	1.6	
Suitable Temperature ( °C )	≤100	
Suitable Medium	Water, Oil	

## Material Specifications:

Parts Name	Material	Designation / Grade (CI)
Body	Ductile Iron	BS2789 Grade 500/7
Cover	Ductile Iron	BS2789 Grade 500/7
Gasket	Rubber	NBR
Screen	Stainless Steel	BS970 Grade 304 S31
Bolt & Nut	Stainless Steel	BS970 Grade 304 S31
Drain Plug	Malleable Iron	Hot Dipped Galvd

## Dimensions:

Size DN	Inch.	3	4	6	8
	mm	80	100	150	200
L	END TO END	300	340	420	480
H	HEIGHT	150	170	220	290
h	HEIGHT	125	138	170	200
D		25	32	32	40
d		25	32	32	40

