



Wafer Check Valves

Conform to BS EN 12334:2001



Advantages & Technical Features

1. Compact structure, light weight & low cost.
2. Easy to install & maintain.
3. Two torsion springs are used exerting on each of the pair valve plates, which close the plates quickly and automatically.
4. The quickly close action prevents the medium from flowing back and eliminates hammer effect.
5. Safe and reliable in operation, high interference resistance.
6. Low head loss.
7. It is easily install between standard flanges with gaskets using only one set of flange studs.
8. The valves are tightly sealed with no leakage under the water pressure test.
9. Suitable for vertical or horizontal installation.
10. The face to face dimensions are in accordance with BS EN 558-1:1996 BASIC SERIES 16.
11. Short face to face length enabling installation in restricted spaces not possible with conventional flanged check valves.
12. The connection dimensions of flanges are according to the standards of BS EN 1092-2 PN10/16.

TVT VALVES SDN BHD (Co. No. 324658-A)

8, Jalan 2, Off Jalan Sungai Besi, 55200 Kuala Lumpur, Malaysia.

Tel: 603-9223 0037 (HL)

Fax: 603-9223 0919, 9223 0615

E-mail: tvtvalves@gmail.com / slhsb@tm.net.my

TVT® Wafer Check Valves Conform to BS EN 12334:2001

SPECIFICATIONS

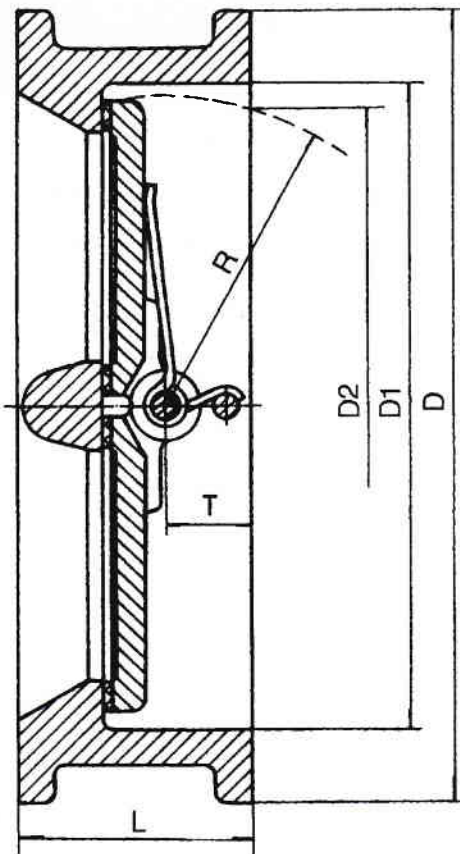
Nominal Diameter (DN)	50mm - 800mm		
Nominal Pressure (PN)	10	16	
Testing Pressure (PN)	Seat	11	17.6
	Body	15	24
Working Temperature (°C)	-15° ~ +120°C		
Suitable Mediums	Fresh water, Sewerage, Sea water, Air, Steam, Oils, Acids, Alkalines, Salt, etc.		

TECHNICAL REQUIREMENTS

1. Design and manufacture are according to standard of BS EN 12334:2001.
2. The flange of the Water Check Valves is according to PN10/16 flange of BS EN 1092-2 for the integral cast iron flange (Unless otherwise specified).
3. Testing is according to the standard BS EN 12266-1 PART 1 RATE A (No Visible Leakage).

MATERIAL SPECIFICATIONS

No	Parts	Material	BS Designation	Grade
	Coating	Fusion Bonded Epoxy		
5.	Body	Cast Iron	BS EN 1561	EN-GJL-250
		Ductile Iron	BS EN 1563	EN-GJS-500-7
4.	Disc	Nickel Plated Ductile Iron	BS EN 1563	EN-GJS-500-7
		Stainless Steel	BS 970	GR 304S15
		Aluminium Bronze	BS 1400	AB2
3.	Stem	Stainless Steel	BS 970	GR 410S21
2.	Sealing	EPDM / NBR	BS EN 681-1	IRHD66-75
1.	Spring	Stainless Steel	BS 970	GR 304S15



DIMENSIONS (MM)

Size DN		D	D ₁	D ₂	L	R	T	Weight (±kg)
(mm)	(inch)							
800	32"	910	825	762	241	403.9	100	314.0
700	28"	804	720	662	229	345	98	219.0
600	24"	734	624.5	538	178	292	73	172.0
500	20"	617	505	438	152	238	58	111.0
450	18"	555	450	385	152	215	58	107.0
400	16"	495	410	350	140	195	52	75.0
350	14"	443	360	298	127	170	45	55.0
300	12"	383	310	260	114	146	43	42.0
250	10"	328	265	220	114	125	50	26.0
200	8"	273	224	182	89	102.5	33	17.0
150	6"	218	171	134	76	77	31	9.0
125	5"	192	145	115	70	64	30	7.3
100	4"	162	117	88	64	50	27	5.7
80	3"	142	94	70	64	42	28	3.6
65	2½"	127	80	60	46	35	20	2.4
50	2"	107	65	40	43	27	19	1.5

NOTE : Other materials / working pressure / sizes / dimensions on request.