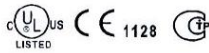




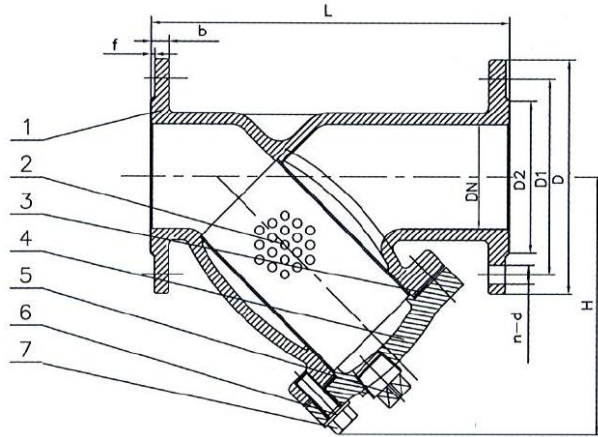
Y-Type Strainer (V4),
PN10/16, UL Listed



V4



- Connection Ends: Flange to BS EN 1092-2:1997
- Working Pressure: PN10/PN16
- Temperature Range: 0°C - 80°C rubber gasket,
-10°C - 350°C graphite gasket
- Coating: Fusion Bonded Epoxy Coating in accordance with
ANSI/AWWA C550



MATERIAL SPECIFICATION

Part No.	Part	Standard Specification	Options
1	Valve Body	EN-GJS-450-10	
2	Screen	SS304 (Perforated)	SS304, SS316 (Perforated, Knitted, Double Screen)
3	Gasket	EPDM	Graphite+Acanthopore Plate
4	Bonnet	EN-GJS-450-10	
5	Plug	Malleable Iron Galvanized	Bronze ASTM B584
6	Bolt	Carbon Steel Zinc Plated	SS304, SS316
7	Flat Washer	Carbon Steel Zinc Plated	SS304, SS316

STANDARD SCREEN

DN		Sieve No.	Hole Dia.	Free Flow Area(%)
Inch	mm		mm	%
2"-2.5"	50-65	25	4	48
3"-4"	80-100	19	5	59
5"	125	14	6	63
6"-12"	150-300	13	6.3	64

Note: For special material request other than standard specification, please indicate clearly on the inquiry or order list.

DN			Dimensions(mm)							
Inch	mm	PN	L	D	D1	D2	b	n-Φd	f	H
1.5"	40	10/16	200	150	110	90	19	4-Φ19	3	140
2"	50	10/16	230	165	125	99	19	4-Φ19	3	140
2.5"	65	10/16	290	185	145	118	19	4-Φ19	3	175
3"	80	10/16	310	200	160	132	19	8-Φ19	3	198
4"	100	10/16	350	220	180	156	19	8-Φ19	3	229
5"	125	10/16	400	250	210	184	19	8-Φ19	3	287
6"	150	10/16	480	285	240	211	19	8-Φ23	3	304
8"	200	10	600	340	295	266	20	8-Φ23	3	370.5
		16						12-Φ23		
10"	250	10	730	405	350	319	22	12-Φ23	3	469
		16			355			12-Φ28		
12"	300	10	850	460	400	370	24.5	12-Φ23	4	540
		16			410			12-Φ28		
14"	350	10	838	520	460	429	26.5	16-Φ23	4	625
		16			470			16-Φ28		
16"	400	10	864	580	515	480	28	16-Φ28	4	715
		16			525			16-Φ31		

