

gKENT

Ferrule

Your Trusted Engineering Partner

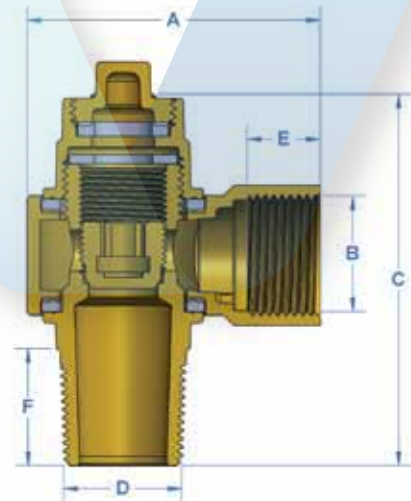
Technical Specification:

Specification

Specification	DN20 (3/4 inch)	DN25 (1 inch)
Nominal Pressure	PN16	
Working Temperature, °C	≤ 50	
Application Medium	Potable Water	
Material	C 3771	

Dimension

Dimension	DN20 (3/4 inch)	DN25 (1 inch)
A	63min	74min
B	G 3/4	G 1
C	80min	85min
D	R 3/4	R 1
E	15min	15min
F	20min	21min



* All dimensions are in "mm" unless otherwise stated



George Kent (Malaysia) Berhad (1945-X)
 George Kent Technology Center
 1115 Jalan Puchong, Taman Meranti Jaya,
 47120 Puchong, Selangor, Malaysia.
 Tel : +603-8064 8000
 Fax : +603-8061 9926
www.georgekent.net



Distributed By :



HW BARAKAH SDN BHD
 No.40, Jalan 18/2, 46000 Petaling Jaya, Selangor
 T : 03-77833916/4788, 77829436/8201/9657
 F : 03-7781 6288 (Showroom) ; 03-77826622
 E : Heapwah@yahoo.com, Sales@Heap-wah.com
www.heap-wah.com

Continuous improvement is one of our company policy. George Kent (Malaysia) Berhad reserved the right to modify the specifications without prior notice.