



BRASS FERRULE COCK

PN16

TECHNICAL SPECIFICATION

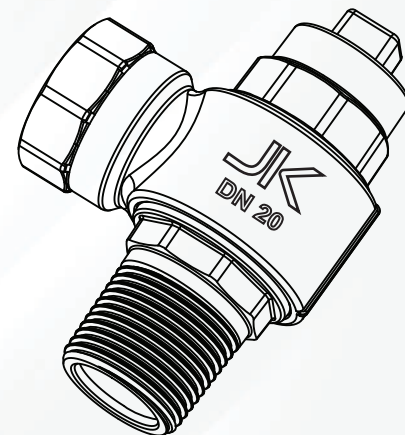
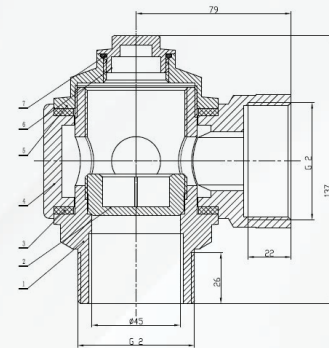
- NOMINAL PRESSURE → PN16
- WORKING TEMPERATURE → ≤ 50
- APPLICATION MEDIUM → POTABLE WATER
- MATERIAL → C 3771



DIMENSION

SIZE	A	B	C	D
1/2"	PS 1/2"	88.0	PT 1/2"	43.5
3/4"	PS 3/4"	88.0	PT 3/4"	42.5
1"	PS 1"	94.8	PT 1"	48.5
2"	PS 2"	137.0	PT 2"	79.0

*ALL DIMENSIONS ARE IN "MM" UNLESS OTHERWISE STATED.



APPROVED BY >



Distributed By

HEAP WAH BARAKAH SDN BHD

No.40, Jalan 18/2, 46000 Petaling Jaya, Selangor
www.heap-wah.com

T : 03-77833916/4788, 77829436/8201/9657
F : 03-7781 6288 (Showroom) : 03-77826622
E : Heapwah@yahoo.com, Sales@Heap-wah.com

BY HEAP WAH BARAKAH



BRASS LOCKABLE BALL VALVE

PN16

TECHNICAL SPECIFICATION

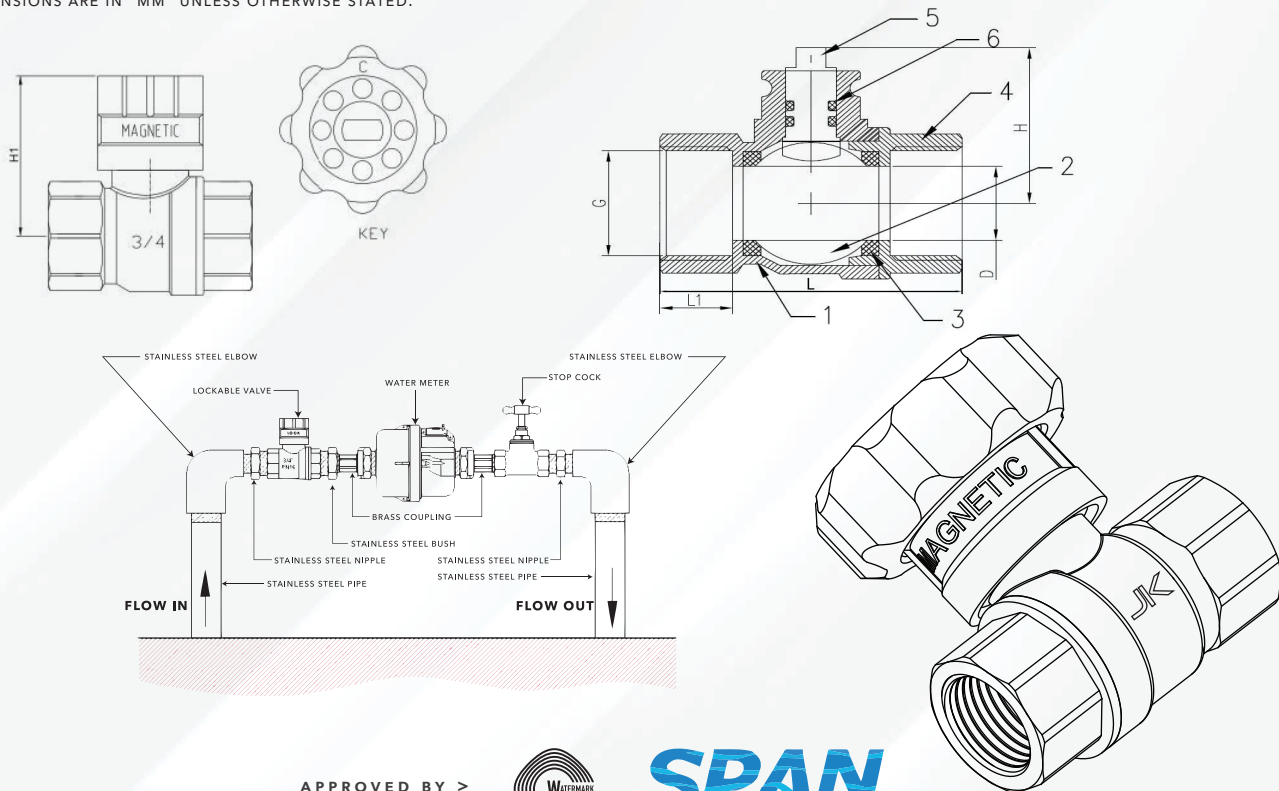
- NORMAL PRESSURE → 1.6MPA
- TESTED PRESSURE → 2.0MPA
- WORKING TEMPERATURE → $-20^{\circ}\text{C} \leq T \leq 120^{\circ}\text{C}$
- APPLICATION MEDIUM → POTABLE WATER
- MATERIAL → C 3771 (NICKEL PLATED)



DIMENSION

SIZE (G)	D (MM)	L	L1	H	H1
1/2"	13	54	14	36.5	48
3/4"	17.8	60	14.25	38.5	50

*ALL DIMENSIONS ARE IN "MM" UNLESS OTHERWISE STATED.



APPROVED BY >



Distributed By

HEAP WAH BARAKAH SDN BHD

No.40, Jalan 18/2, 46000 Petaling Jaya, Selangor
www.heap-wah.com

T : 03-77833916/4788, 77829436/8201/9657
F : 03-7781 6288 (Showroom) : 03-77826622
E : Heapwah@yahoo.com, Sales@Heap-wah.com

BY HEAP WAH BARAKAH