

Resilient Seated (SFGV)

CAPTOP

Though supplied with cap tops as standard, valves are readily available for handwheel operation or via gearbox and actuator.

STEM

Accurate wedge guiding

The Spindle is produced with a modified trapezoidal thread form mating with wedge nut hence ensures accurate wedge guiding. Long guides with extra close working clearances maintain wedge alignment and minimize drag on the faces under unbalanced pressure.

BONNET BOLTS

No risk of corrosion

Cap screws are sealed with hot melt wax. Thus it is isolated from soil hence there is no risk of corrosion.

STEM SEAL

Low operating torque, replaceable in service, maintenance free

Gland packing is by double "O" giving low friction hence lower operating torque required and a long-life seal requiring no adjustment in service. The "O" ring spindle seals can be replaced in service with the line pressurized and the valve fully open, as required by BS 5163.

WEDGE

Positive tight shut-off, long-lasting seal

The ductile iron gate of the valve is fully encapsulated with synthetic rubber that fully complies with the UK water quality requirements of BS 6920-1: 2000 and ensure full corrosion protection. This synthetic rubber is tough, hard-wearing and capable of long life over a broad range of applications. The resilience of the seal will accommodate flexing of the body under pressure or pipe stresses without loss of tightness. At the same time the seal is easily renewable if necessary by simply changing the wedge for a new one.

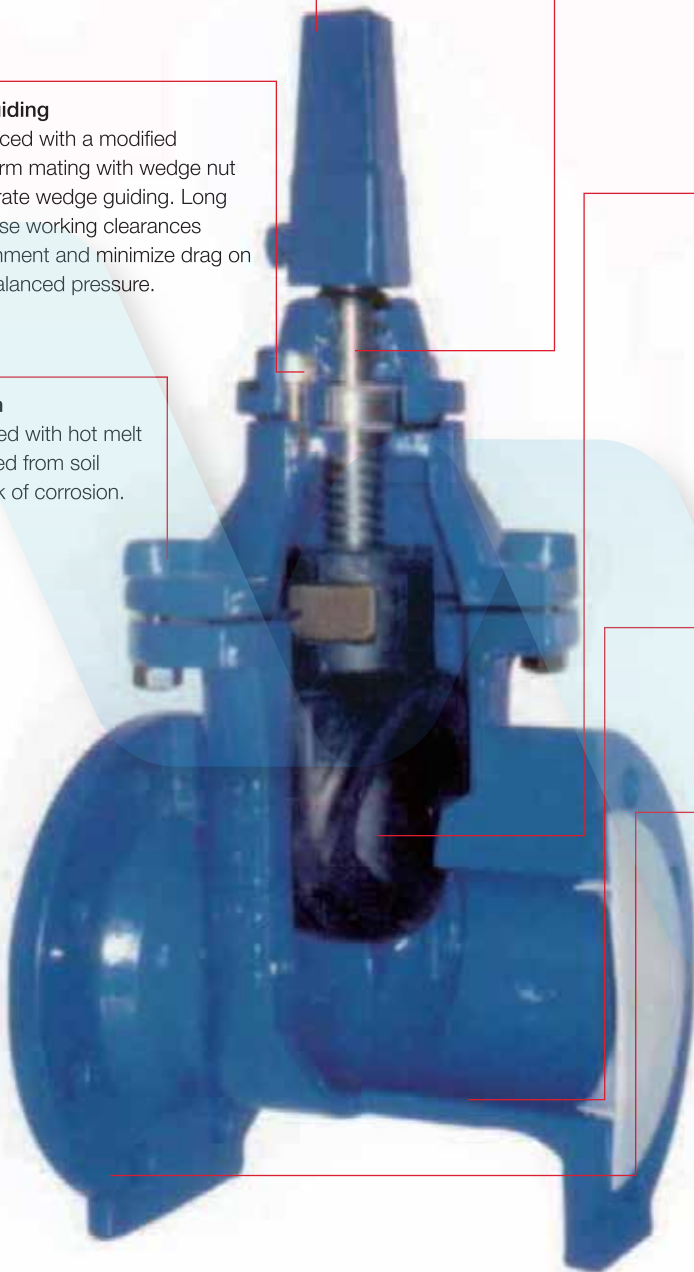
FULL CLEAR BORE

Optimum flow, minimum headloss

Full clear bore ensures optimum flow characteristics through the valve. Headloss is reduced to a minimum.

FLANGE

DUVALCO SF gate valves are normally supplied with ends flanged to BS EN 1092-2 with drilling to either PN10 or PN16. Other flange drillings are possible upon request. In certain territories, pipework practice demands the use of valves with plain ends. These are available in SF valve sizes 80-600mm. Alternatively, flanged adaptors are offered which allow connection of flanged valves to plain-ended pipes.



Duvalco Resilient Seated Gate Valves

Duvalco resilient seated gate valves with full clear bore and no debris trap under the wedge. Positive tight shuff-off and long-lasting seal. Applicable for all kinds of industries, especially **ship-building, off-shore, petrochemical, heavy industry, water treatment and civil engineering.**



- Overall design generally in accordance to BS 5163, EN 1074-1, EN 1074-2
- Face to face generally in accordance to EN 558 Series 3 (BS), Series 14 (DIN F4) or Series 15 (DIN F5)
- Flanged Connections to PN10, PN16, ANSI Class 150 or Plain- or Socket end
- Working pressure standard – up to PN16
- PN25 Upon request.
- DN50 – DN600.
- Other type of connection on request

HOW TO ORDER

TYPE	DN	FLANGE CONNECTION	WP	BODY	RUBBER VULCANISED	WEDGE	SHAFT	ACTUATOR	COATING
→ SFGV	→ Normal Size	→ DIN PN10, PN16 → ASME B16.5 Class 150 → Others	→ Working Pressure		→ Rubber Vulcanised			→ Bare shaft → Cap top → Gear operator → Electric → Hydraulic → Pneumatic actuator	→ C2/C3 → C4/C5-1 → C-5M → LM-1/LM-2

MATERIALS

BODY

Ductile Iron EN 1561 EN-GJL-500-7
Other materials on request

RUBBER VULCANISED

NBR (Buna-N)
EPDM
Other materials on request

WEDGE

Ductile Iron EN 1563 EN-GJS-500-7
Other materials on request

COATING

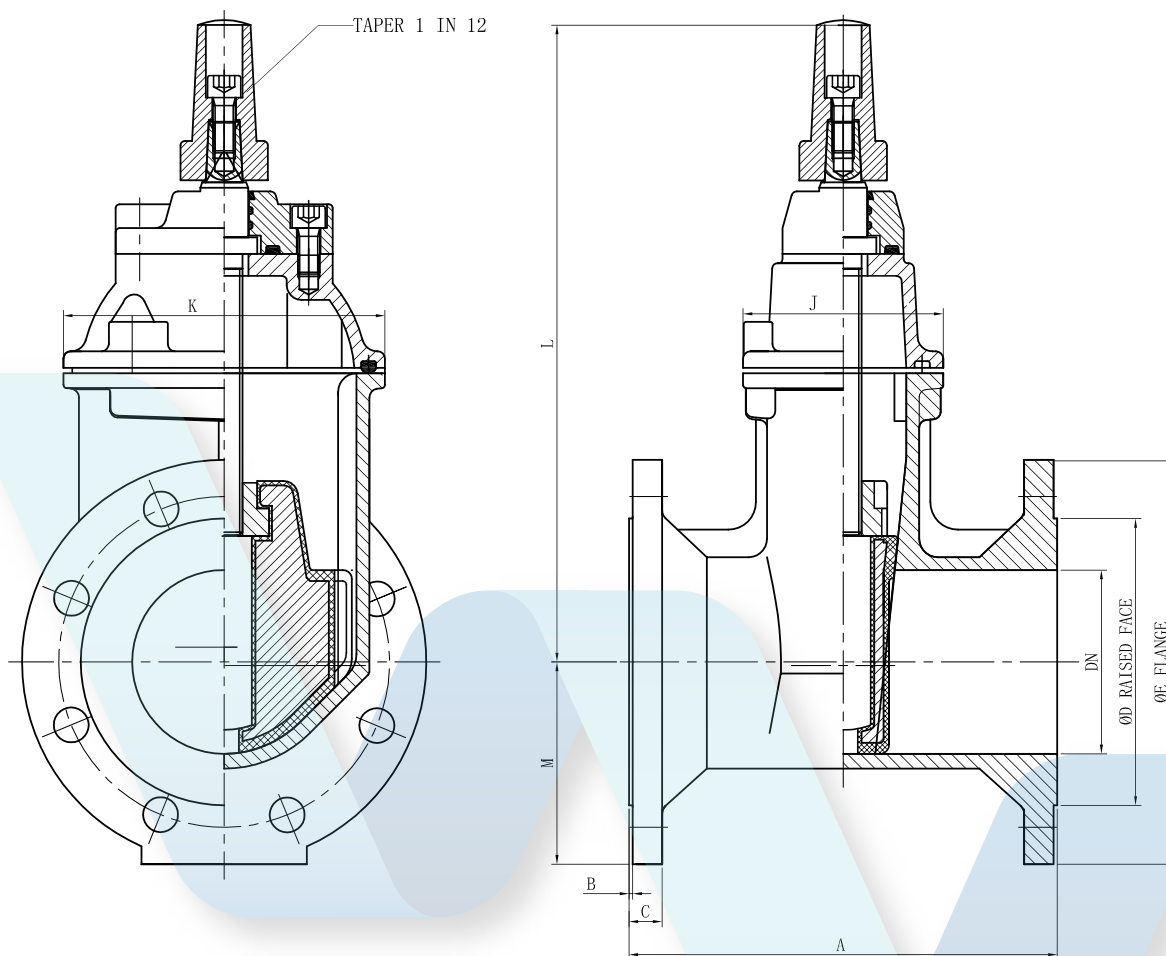
Fusion bonded powder epoxy 300 uM to Blue RAL 5005
Other specifications on request

SHAFT

Stainless Steel EN 10088 – 3 1.4021
Stainless Steel (3 16) EN 10088 – 3 1.4401
Monel BS3076 NA18
Aluminium Bronze EN1265
Stainless Steel (4 16) EN10088 – 3
Stainless Steel (3 04) EN10088 – 1 1.4301
Other materials on request

RESILIENT SEATED | GATE VALVE | SFGV |

DIN PN 10, PN16
ASME CLASS 150
Flange Type



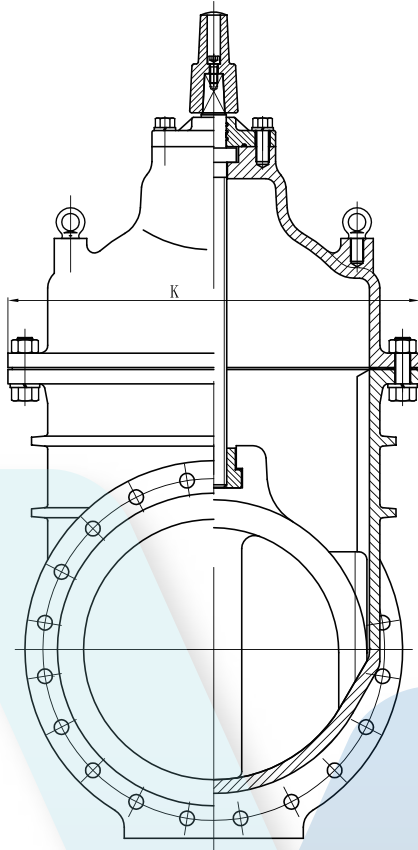
SIDE VIEW

SECTIONAL VIEW

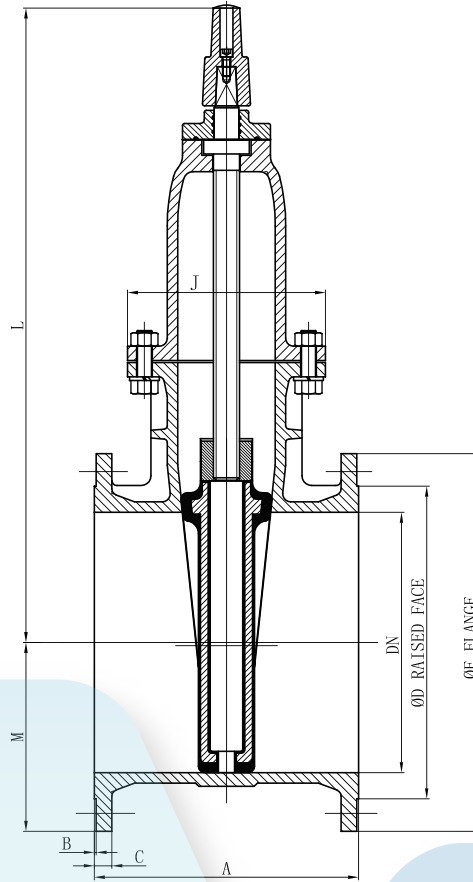
DN	A (BS3)	A (DIN F4)	A (DIN F5)	B	C	øD	øE	J	K	L	M
50	178	150	250	3	19	99	165	91	109	274	82.5
80	203	180	280	3	19	132	200	112	160	315	100
100	229	190	300	3	19	156	220	109	175	350	110
150	267	210	350	3	19	211	285	141	266	426	142.5
200	292	230	400	3	20	266	340	175	339	542	170
250	330	250	450	3	22	319	400	197	407	636	200
300	356	270	500	4	24.5	370	455	220	468	709	227.5

All dimensions are in mm

DIN PN 10, PN16
ASME CLASS 150
Flange Type



SIDE VIEW



SECTIONAL VIEW

DN	A (BS3)	A (DIN F4)	A (DIN F5)	B	C	ø D	ø E	J	K	L	M
350	381	290	550	4	26	429	520	270	568	897	260
400	406	310	600	4	28	480	580	304	632	975	290
450	432	330	650	4	30	530	640	322	692	1061	320
500	457	350	700	4	31	582	715	341	746	1152	357.5
600	508	390	800	5	36	682	840	395	890	1318	420

All dimensions are in mm

We reserve the rights to change any information without prior notice.

HEADQUARTERS

Singapore

Duvalco Valves & Fittings Pte Ltd
No. 2 Tractor Road, Singapore 627966
Tel : +65 6265 8128
Fax : +65 6265 8028
Email : sales_enquiries@duvalco.net

Netherlands

Duvalco B.V.
Planckstraat 43,
3316 GS Dordrecht
Tel : +31 (0) 78-6545 250
Fax : +31 (0) 78-6545 260

Distributed By :



HW BARAKAH SDN BHD

No.40, Jalan 18/2, 46000 Petaling Jaya, Selangor
T : 03-77833916/4788, 77829436/8201/9657
F : 03-7781 6288 (Showroom) : 03-77826622
E : Heapwah@yahoo.com, Sales@Heap-wah.com
www.heap-wah.com